

7.1.3 facilities in the Institution for the management of the following types of degradable and non-degradable waste

Amity University, Gwalior prioritizes sustainable practices and environmental conservation through an integrated and systematic approach to waste management. The institution adheres to eco-friendly methods to minimize waste generation, ensure proper segregation, and promote recycling and reuse. Below are the key facilities and initiatives for waste management at Amity University, Gwalior:

1. Solid Waste Management

The university employs efficient mechanisms to handle solid waste generated on campus:

- **Waste Segregation at Source:** Bins are strategically placed for segregation of biodegradable and non-biodegradable waste.
- **Composting Units:** Organic waste is converted into compost using on-campus composting pits. The compost is utilized in landscaping and gardening.
- **Recyclable Waste Collection:** Non-biodegradable waste, such as plastic, paper, and metal, is collected separately and sent to authorized recycling units.

2. Liquid Waste Management

Proper systems are in place to manage liquid waste effectively:

- **Sewage Treatment Plant (STP):** The campus is equipped with an STP to treat wastewater. Treated water is reused for gardening and other non-potable purposes.

3. E-Waste Management

Special attention is given to the disposal and recycling of electronic waste:

- **E-Waste Collection Points:** Designated areas are provided for the collection of outdated electronic devices and accessories.
- **Authorized Disposal:** E-waste is handed over to government-approved recycling agencies for safe and eco-friendly disposal.
- **Awareness Drives:** Regular campaigns are conducted to educate students and staff on responsible e-waste disposal.

4. Hazardous Waste Management

- **Training for Staff:** Staff members handling hazardous waste are trained to follow safety guidelines.

5. Sustainable Practices

Amity University emphasizes sustainability through various waste reduction initiatives:

- **Paperless Administration:** Digital platforms are extensively used to minimize paper usage.
- **Reusable Materials:** Use of reusable materials is encouraged across departments and events.
- **Student Engagement:** Students actively participate in waste reduction and recycling drives.

6. Monitoring and Evaluation

A dedicated team monitors the waste management processes and evaluates their effectiveness:

- **Regular Audits:** Periodic waste audits are conducted to identify areas for improvement.
- **Feedback Mechanism:** Suggestions from students and staff are incorporated to enhance waste management systems.

Impact and Outcome

The waste management facilities at Amity University, Gwalior, contribute to maintaining a clean and green campus. These efforts not only align with the institution's commitment to sustainability but also install environmental responsibility among students and staff.

7.1.3 Facilities for Waste Management

Table of Contents

S.No.	Documents
1	Environment Audit Report
2	STP Construction Testing Results
3	STP Construction Drawings
4	Used Oil Disposal Contract

Test Report

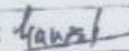
Quality Standard	Parameters as desired
Issued to	- Green Wastetech, Sushant Lok-1, Gurgaon
Kind attn.	- Mr.
Analysis no.	- 23063031
Nature of Sample	- Waste Water Sample marked Amity Gwalior-STP 1 Outlet
Sample received on	- 30 th October 2023
Report Date	- 4 th November 2023
Analysis Dates	- 30 th October 2023 to 4 th November 2023
Sample Receipt	- By Client
Sample Packing	- Pet Bottle
Sampling Method	- Grab Sampling

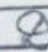
	PARAMETER	UNITS	RESULTS	TEST METHOD	LIMIT		
					INLAND SURFACE	PUBLIC SEWER	LAND FOR IRRIGATION
General	Color	Hazen	10	IS 3025 PART 4	N.S	N.S	N.S
	Odor	Unit Less	Mild	IS 3025 PART 5	N.S	N.S	N.S
Organics	Chemical Oxygen Demand	mg/l	8.2	IS 3025 PART 58	250	—	—
	BOD for 03 days at 27*c	mg/l	2.6	IS 3025 PART 44	30	350	100
Physical	pH	Unit Less	7.38	IS 3025 PART 11	5.5-9.0	5.5-9.0	5.5-9.0
	Total Suspended Solids	mg/l	4.6	IS 3025 PART 17	100	600	200
	Total Dissolved Solids	mg/l	732	IS 3025 PART 16	2100	2100	2100
Chemical	Oil & Grease	mg/l	0.20	IS 3025 PART 39	10	20	10

Remarks: The no. of parameters tested is 08 only. The report is issued subject to the terms & conditions as mentioned over leaf.

Chemist

Authorized Signatory

Reviewed by Sign : 
Designation : Quality Analyst

Issued by Sign : 
Name : Dilip Thakur
Designation : Technical Manager





270, Sector-37, Udyog Vihar, Phase-6,
Gurgaon - 122 001 (NCR) India
Lab Tel.: 0124-4384380-1
24x7 Customer Care : 9312430446
9810098791
Visit us at : www.qualityanalyst.net
E-mail : support@qualityanalyst.net

CRISIL Rated
ISO 9001:2015 Certified
ISO 14001:2015 Certified
CIN : U85195DL2003PTC121385
21 Years of Analytical Expertise

Test Report

Quality Standard	Parameters as desired
Issued to	- Green Wastetech, Sushant Lok-1, Gurgaon
Kind attn.	- Mr.
Analysis no.	- 23103032
Nature of Sample	- Waste Water Sample marked Amity Gwalior-STP 2 Outlet
Sample received on	- 30 th October 2023
Report Date	- 4 th November 2023
Analysis Dates	- 30 th October 2023 to 4 th November 2023
Sample Receipt	- By Client
Sample Packing	- Pet Bottle
Sampling Method	- Grab Sampling

	PARAMETER	UNITS	RESULTS	TEST METHOD	LIMIT		
					INLAND SURFACE	PUBLIC SEWER	LAND FOR IRRIGATION
General	Color	Hazen	10	IS 3025 PART 4	N.S	N.S	N.S
	Odor	Unit Less	Mild	IS 3025 PART 5	N.S	N.S	N.S
Organics	Chemical Oxygen Demand	mg/l	28	IS 3025 PART 58	250	--	--
	BOD for 03 days at 27°C	mg/l	9.1	IS 3025 PART 44	30	350	100
Physical	pH	Unit Less	6.92	IS 3025 PART 11	5.5-9.0	5.5-9.0	5.5-9.0
	Total Suspended Solids	mg/l	7.4	IS 3025 PART 17	100	600	200
	Total Dissolved Solids	mg/l	618	IS 3025 PART 16	2100	2100	2100
Chemical	Oil & Grease	mg/l	0.30	IS 3025 PART 39	10	20	10

Remarks: The no. of parameters tested is 08 only. The report is issued subject to the terms & conditions as mentioned over leaf.

Chemist

Authorized Signatory

Reviewed by Sign : *[Signature]*
Designation : Quality Analyst

Issued by Sign : *[Signature]*
Name : Dilip Thakur
Designation : Technical Manager



QUALITY LAB is a trademark and fully owned unit of Quality Analyst & Labs Pvt. Ltd.
Office : 382, Vardhman Charve Plaza-5, Plot No. 20, KP Block Commercial Centre, Pitam Pura, New Delhi-110088

Test Report

Client Standard		Parameters as desired
Addressed to	-	Green Wastetech, Sushant Lok-1, Gurgaon
Attention	-	Mr.
Analysis no.	-	23063003
Description of Sample	-	Waste Water Sample marked Amity Gwalior-STP 1 Outlet
Sample received on	-	30 th June 2023
Report Date	-	4 th July 2023
Analysis Dates	-	30 th June 2023 to 4 th July 2023
Sample Receipt	-	By Client
Sample Packing	-	Pet Bottle
Sampling Method	-	Grab Sampling

PARAMETER	UNITS	RESULTS	TEST METHOD	LIMIT		
				INLAND SURFACE	PUBLIC SEWER	LAND FOR IRRIGATION
General Color	Hazen	10	IS 3025 PART 4	N.S	N.S	N.S
Odor	Unit Less	Mild	IS 3025 PART 5	N.S	N.S	N.S
Chemical Oxygen Demand	mg/l	28	IS 3025 PART 5B	250	--	--
BOD for 03 days at 27°C	mg/l	9.3	IS 3025 PART 44	30	350	100
pH	Unit Less	7.14	IS 3025 PART 11	5.5-9.0	5.5-9.0	5.5-9.0
Total Suspended Solids	mg/l	11.4	IS 3025 PART 17	100	600	200
Total Dissolved Solids	mg/l	634	IS 3025 PART 16	2100	2100	2100
Oil & Grease	mg/l	0.20	IS 3025 PART 39	10	20	10

Remarks: The no. of parameters tested is 08 only. The report is issued subject to the terms & conditions as mentioned over leaf.

Analyst: _____ Authorized Signatory: _____



QUALITY LAB is a trademark and fully owned unit of Quality Analyst & Labs Pvt. Ltd.

Office : 382, Vardhman Charve Plaza-5, Plot No. 20, KP Block Commercial Centre, Pitam Pura, New Delhi-110088

Exclusive representatives in South Asia for Green Seal, Inc., 1001, Connecticut Avenue, NW, Suite, 827, Washington, DC, USA

Test Report

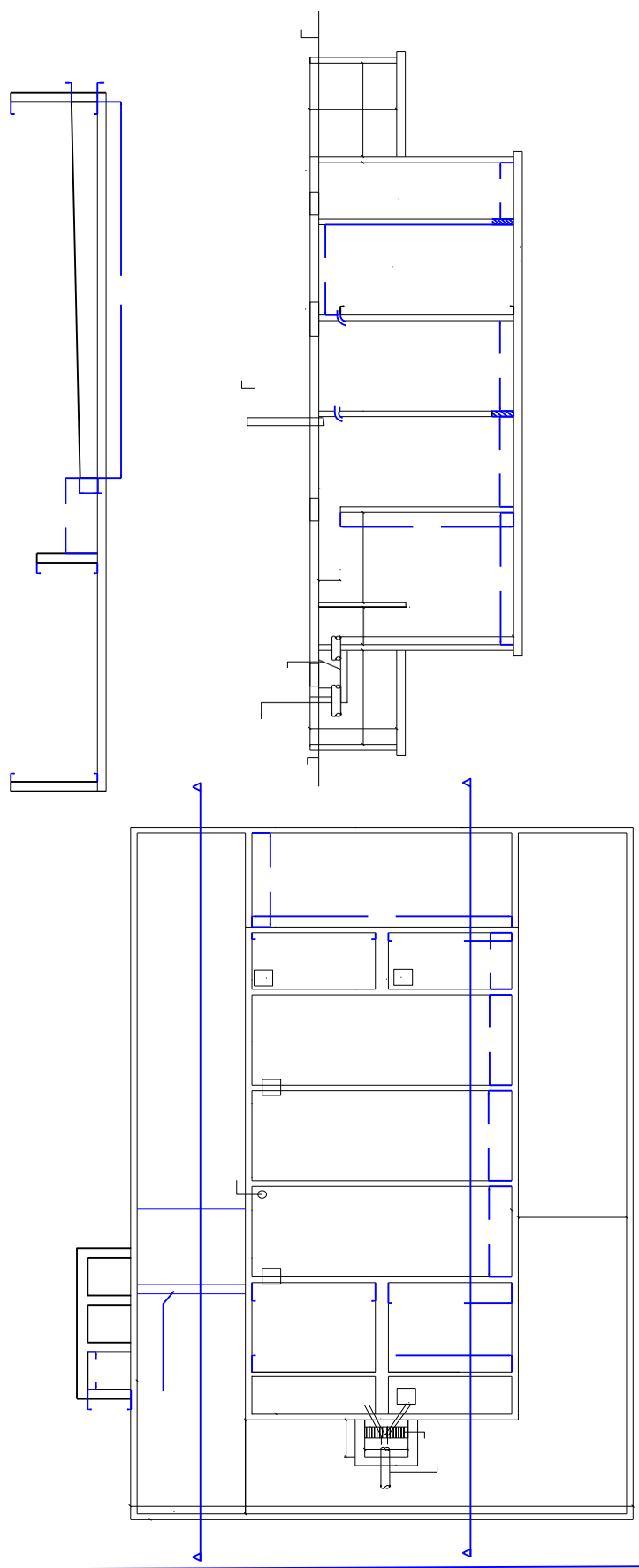
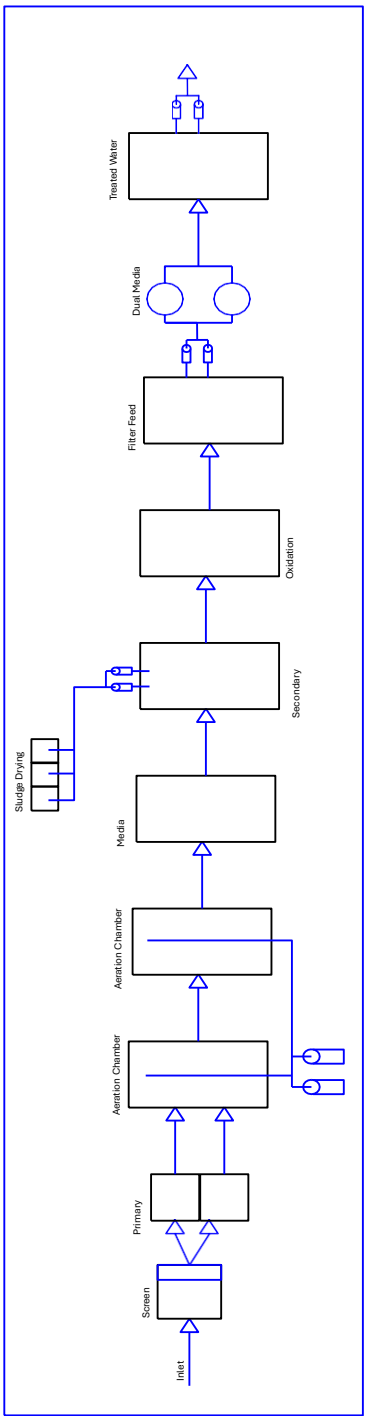
Quality Standard	Parameters as desired
Addressed to	- Green Wastetech, Sushant Lok-1, Gurgaon
Attention	- Mr.
Analysis no.	- 23063004
Area of Sample	- Waste Water Sample marked Amity Gwalior-STP 2 Outlet
Sample received on	- 30 th June 2023
Report Date	- 4 th July 2023
Analysis Dates	- 30 th June 2023 to 4 th July 2023
Sample Receipt	- By Client
Sample Packing	- Pet Bottle
Sampling Method	- Grab Sampling

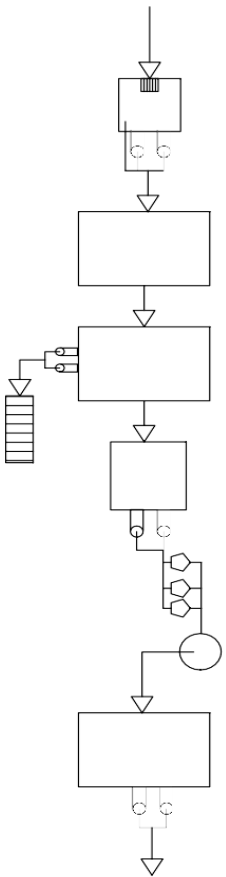
	PARAMETER	UNITS	RESULTS	TEST METHOD	LIMIT		
					INLAND SURFACE	PUBLIC SEWER	LAND FOR IRRIGATION
General	Color	Hazen	10	IS 3025 PART 4	N.S	N.S	N.S
	Odor	Unit Less	Mild	IS 3025 PART 5	N.S	N.S	N.S
Organics	Chemical Oxygen Demand	mg/l	20	IS 3025 PART 58	250	--	--
	BOD for 03 days at 27*c	mg/l	6.5	IS 3025 PART 44	30	350	100
Physical	pH	Unit Less	7.63	IS 3025 PART 11	5.5-9.0	5.5-9.0	5.5-9.0
	Total Suspended Solids	mg/l	8.0	IS 3025 PART 17	100	600	200
	Total Dissolved Solids	mg/l	641	IS 3025 PART 16	2100	2100	2100
Chemical	Oil & Grease	mg/l	0.10	IS 3025 PART 39	10	20	10

Remarks: The no. of parameters tested is 08 only. The report is issued subject to the terms & conditions as mentioned over leaf.

Analyst _____ Authorized Signatory _____

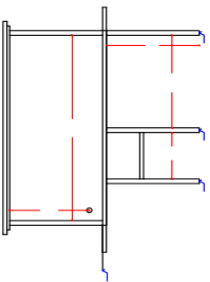
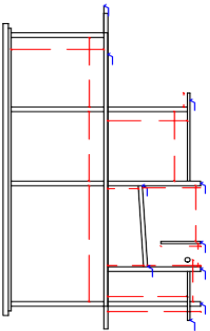
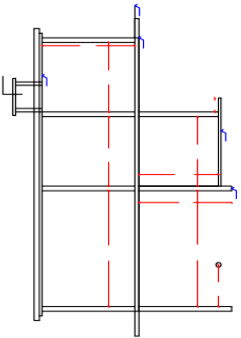
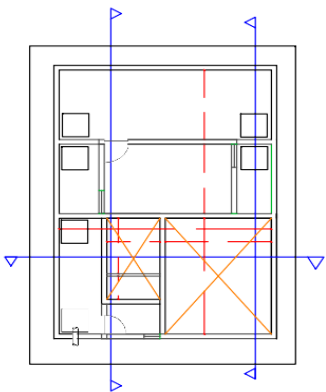
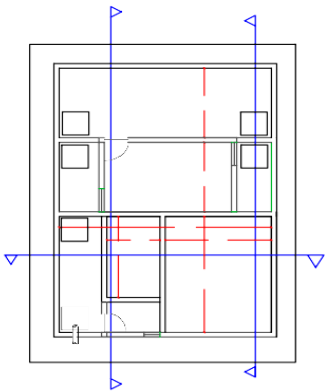
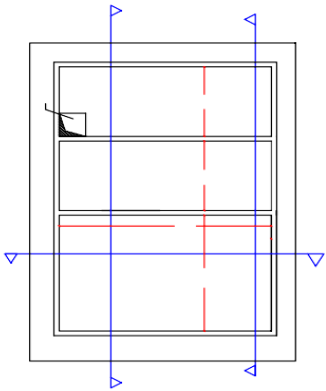






FLOW CHART

- Equipment List**
1. Sucker Screen - 1 no.
 2. Row Sawe - trips - 5 H.P. - 2 nos
 3. Air Blowers - 100 cfm/Hr - 2 nos
 4. Filter Feed - trips - 2 H.P. - 2 nos
 5. Sew - trips - 1 H.P. - 2 nos
 6. Sludge - trips - 1 no.
 7. Sludge - filters - 5 nos
 8. Carbon - filter - 1 no.



General Notes

No.	Revision/Issue	Date

Project Name and Address
 Street - Liny oteach
 S - 477 - Sustent Lok 1
 Bangalore - 122008
 email: se@green@vsnl.com

Sheet # 2
 Entity - unive sity, Swalior
 FDW - 133 Kd

Author: _____
 Date: _____
 Status: _____
 AS Noted



JAITAL CHEMICALS PVT. LTD.

GSTIN - 23AADJ3272D1Z0

☎ 9753546261

✉ jaital.chemicals@gmail.com

📍 F-317-318, Harishankar Puram
Gwalior (M.P.) - 474009

To,

Ref. No.

Amity (Ritnand Balved Education Foundation)
Amity University, Madhya Pradesh, Opp Potato
Research Centre, Bhind Road Maharajpura Gwalior,
Madhya Pradesh

Date : 09/10/2023

GSTIN: 23AAATR7314Q1Z6

MOBILE: +91 70497 91511

Subject - Letter Against Annual Contract of Used Oil Lifting.

Dear Sir,

M/s. *JAITAL CHEMICALS PVT LTD* inform you that we will lift used oil from your university for one year to dispose of this material under MP Pollution Control Board Guideline.

Annual Contract Period: 01-10-2023 to 30-09-2024



JAITAL CHEMICALS PVT LTD

Factory : Plot No. 7, Phase II, Baraghata Industrial Area, Jhansi Road, Gwalior (M.P.)
Godown : Near IDEAL College, Village Barua, Pichhore, Gwalior (M.P.)



Sewage Treatment Plant



Rainwater Harvesting



Bio composting Plant